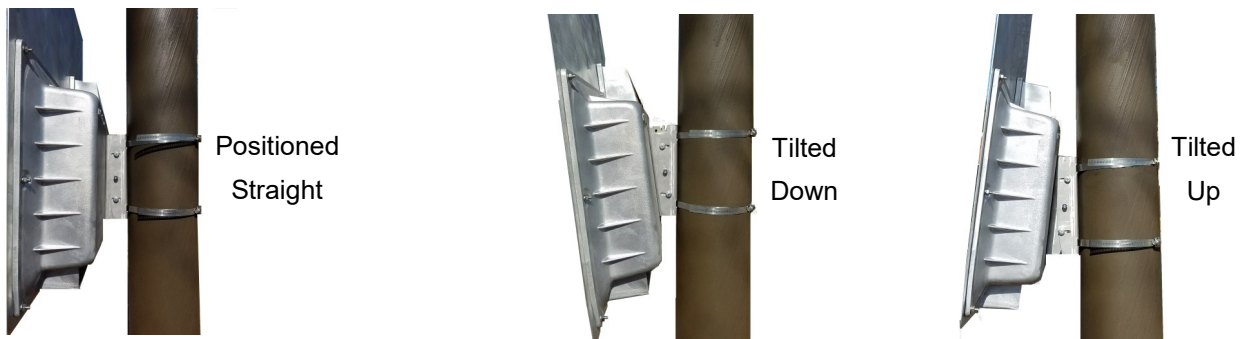


Universal Mount Bracket

Features:

- Allows the installation of the radar speed sign using bolts or banding solutions
- Provides up to eight degrees of pivot up or down which allows placement of the speed sign on an uphill or downhill slope.
- Allows adjustment of the radar speed sign position for poles that have a slight side to side tilt after installation.
- Ease of installation: The design of the bracket allows you to attach the pole side bracket and then utilize the U-shape slot on the top of the pole bracket to hang the sign while you finish the installation.

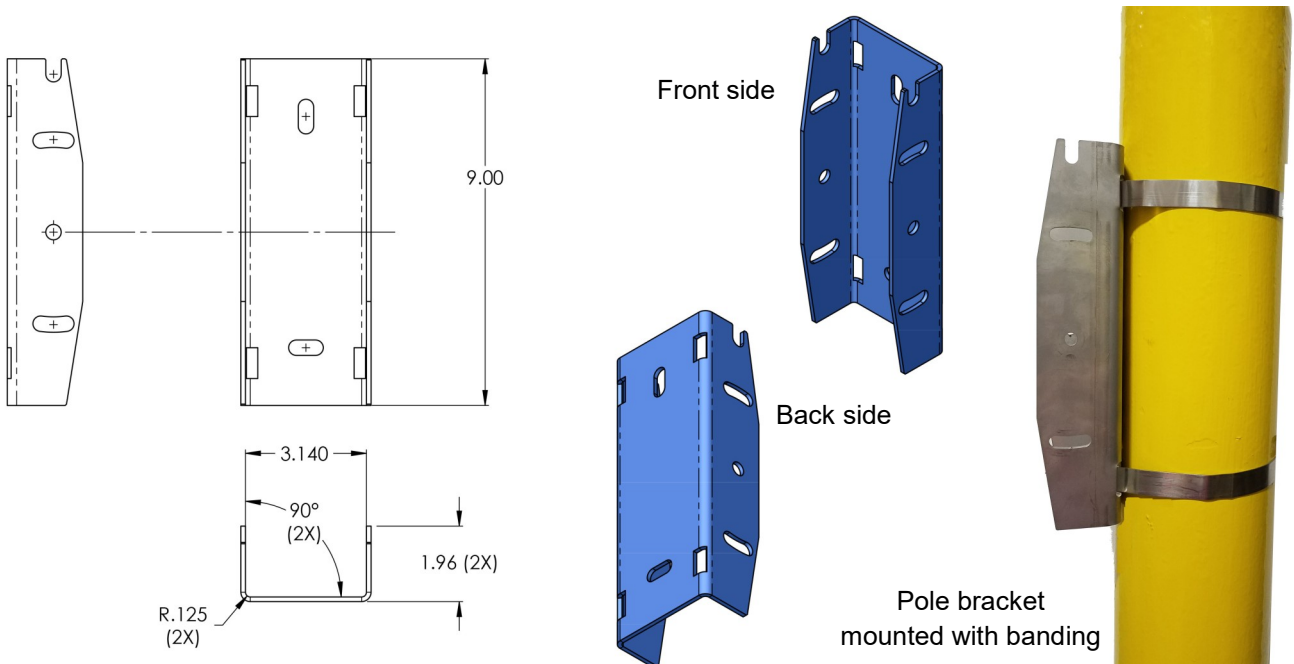


Installation Instructions

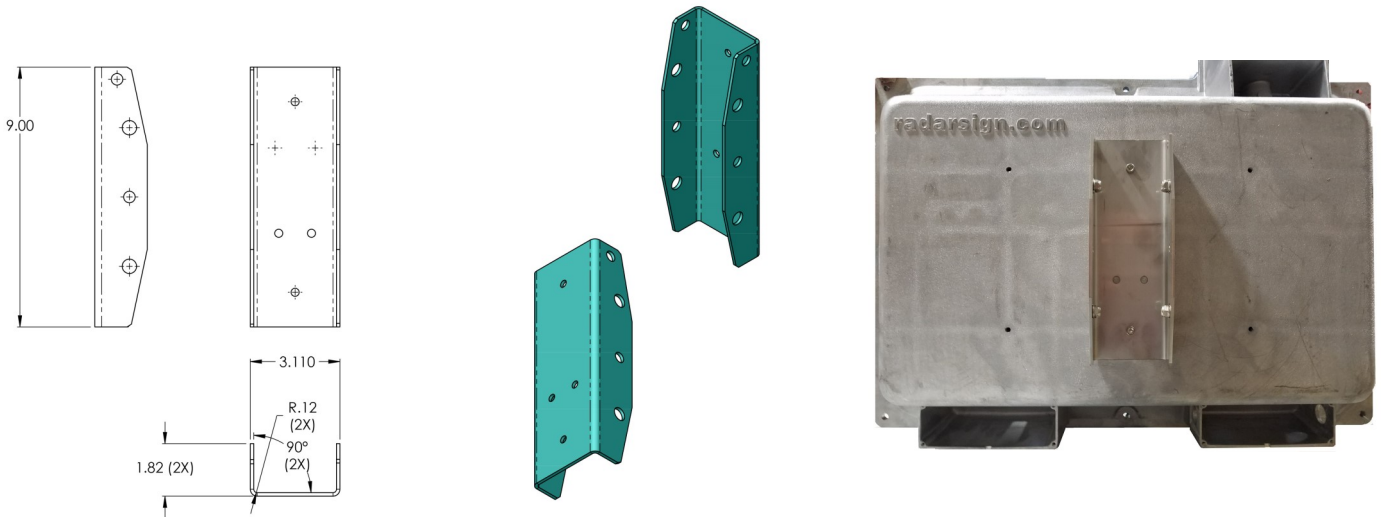
Tool Required: 7/16" wrench

Materials Required: **Customer supplies** nuts, bolts or banding clamps for pole mounting

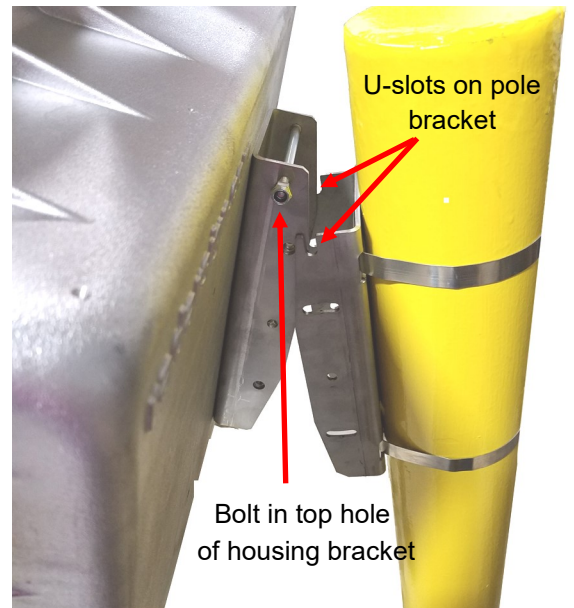
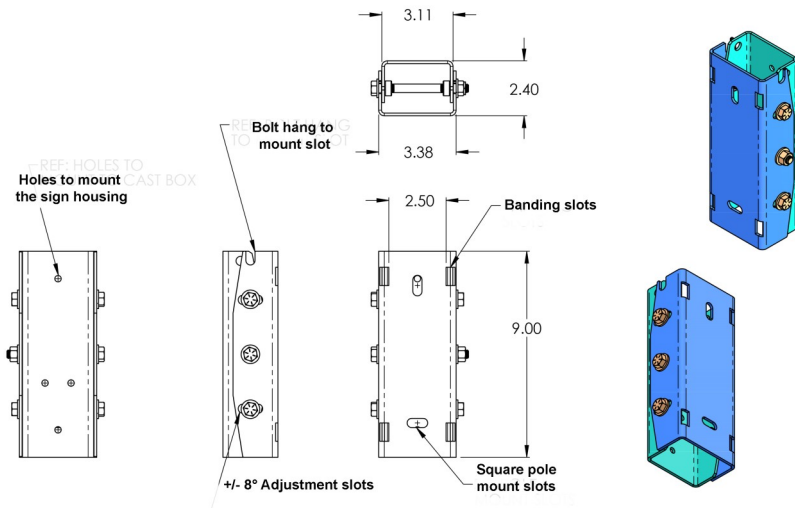
- 1) Attach the pole side of the bracket to the pole. Depending on what type of pole you are using you can use bolts or banding (*customer supplied*).



2) Attach sign side of the bracket to the sign housing using the (2) ¼" bolts x 5/8 length" hex head bolt (supplied).



- 3) When you are ready to hang the sign onto the pole place the ¼" x 4" bolt (supplied) into the top hole of the housing bracket (a long screwdriver will also work).
- 4) Lift the sign and place the bolt into the U-slot on the pole bracket. This will hold the sign so that the side bolts (supplied) can be installed.
- 5) Install the 4 side bolts, 2 on each side of bracket
- 6) Once the sign is securely installed, the 4" bolt from the top hole can be removed



Optional Sign Mounting Lock

An **optional** sign mounting lock is available to use with the Universal Mount Bracket to secure the radar speed sign to the pole.

1. Unlock the lock on the larger black end of the lock set and remove lock.
2. Slide the lock set bar through the hole at the bottom of the sign mounting bracket.
3. Attach lock to the end of the lock set bar and lock.

